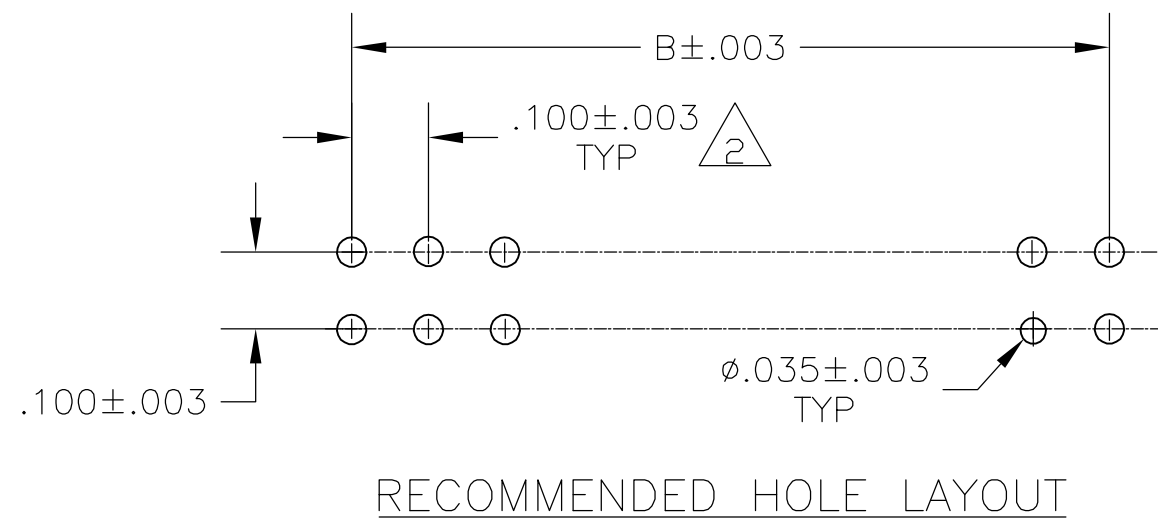
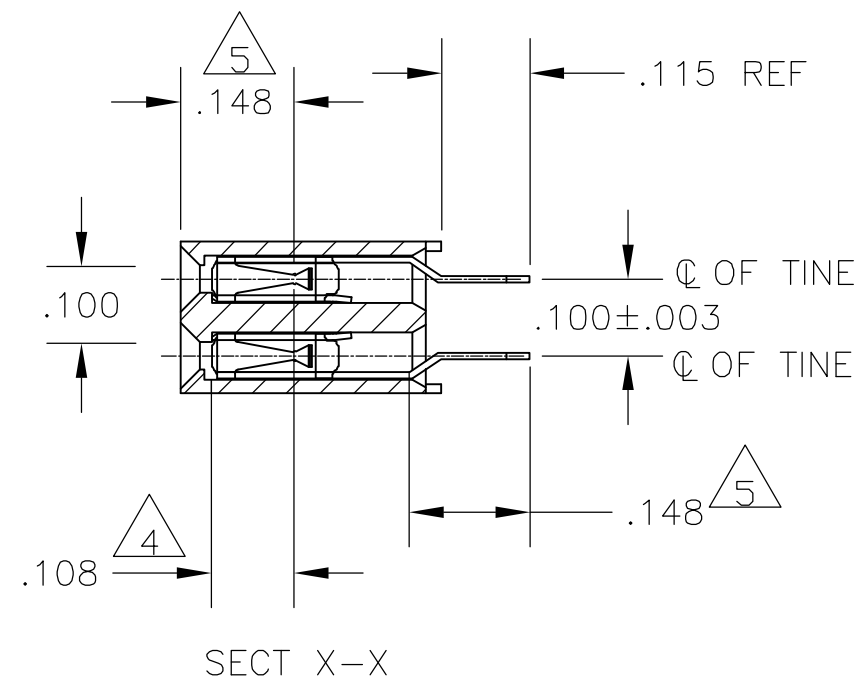
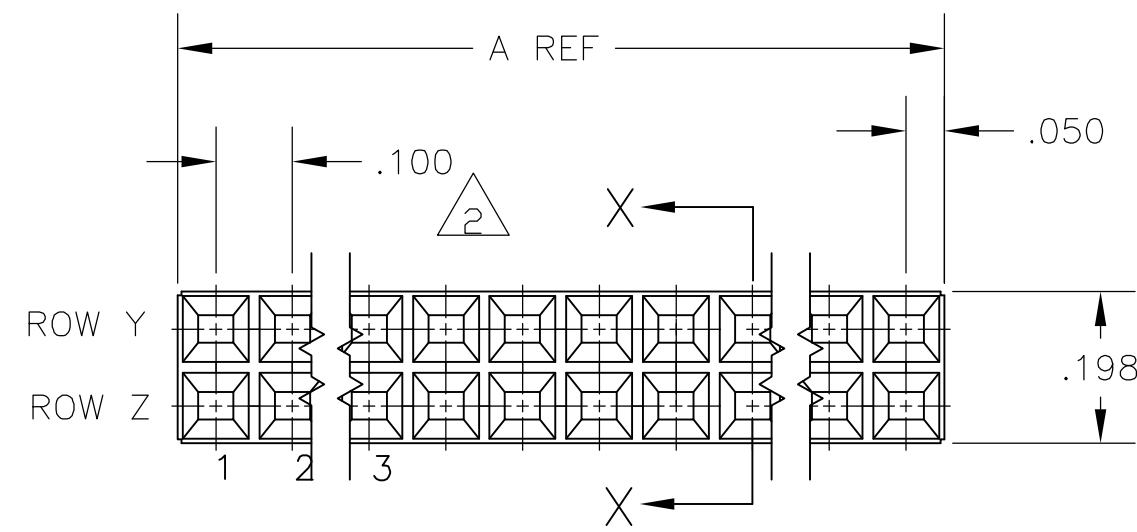
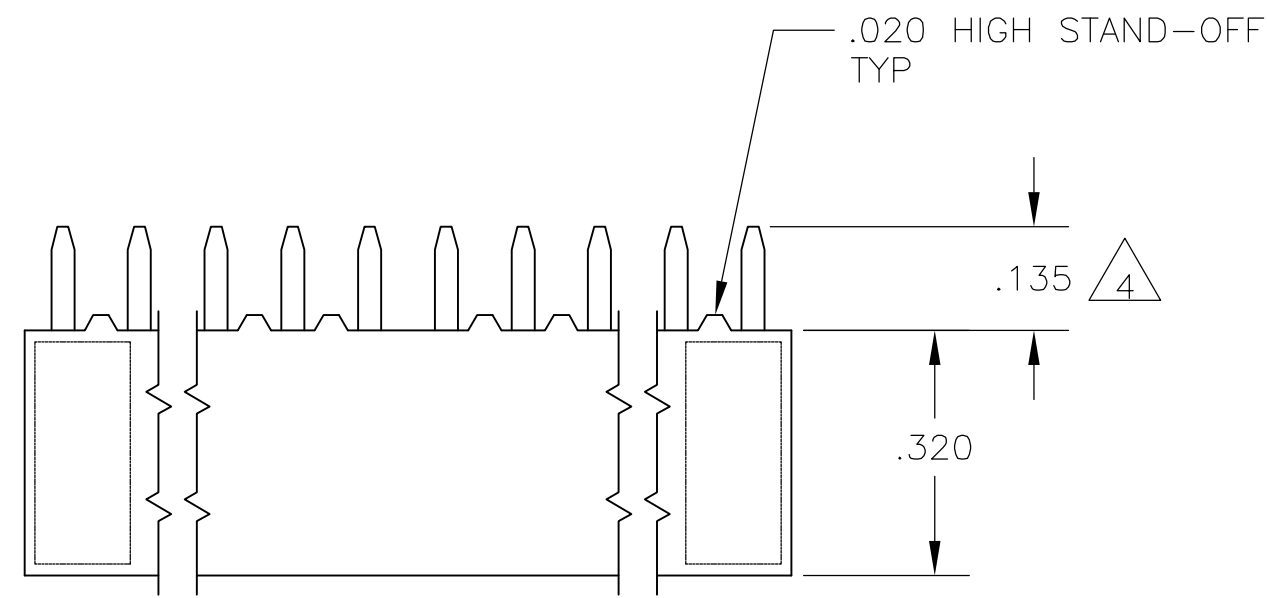


THIS DRAWING IS UNPUBLISHED. RELEASED FOR PUBLICATION  
 © COPYRIGHT BY TYCO ELECTRONICS CORPORATION. ALL RIGHTS RESERVED.

LOC		DIST		REVISIONS			
P	LTR	DESCRIPTION		DATE	DWN	APVD	
F		EC 0G3C 0745 04		10JAN05	BSV	JRO	



- 1 PART NUMBER AND DATE CODE MARKED IN APPROXIMATE LOCATION SHOWN
- 2 CONTACT: DUPLEX PLATED: .000010 GOLD ON CONTACT AREA, .000150-.000300 BRIGHT TIN-LEAD ON SOLDER LEADS, ALL OVER .000050 MINIMUM NICKEL.
- 3. TOLERANCE IS NON-CUMULATIVE.
- 4 POINT OF MEASUREMENT FOR PLATING THICKNESS (MEASURED INSIDE CONTACT BEAMS)
- 5 POINT OF CONTACT MEASUREMENT.
- 6. MATERIAL: HOUSING: GLASS FILLED POLYESTER-COLOR: BLACK CONTACT: PHOSPHOR BRONZE
- 7 CONTACT: DUPLEX PLATED: .000010 GOLD ON CONTACT AREA, .000150-.000300 MATTE TIN ON SOLDER LEADS, ALL OVER .000050 MINIMUM NICKEL.
- 8 ROHS 2002/95/EC COMPLIANT
- 9 TYCO LOGO AND CSA LOGO ARE MOLDED INTO HOUSING, THIS LOCATION.

	52	1,2,29&30	1,2,29&30	7	3.000	2.900	60	5-102766-4
OBSOLETE	44	1,2,25&26	1,2,25&26	7	2.600	2.500	52	5-102766-3
	30	1,2,18&19	1,2,18&19	7	1.900	1.800	38	5-102766-2
	40	1,2,23&24	1,2,23&24	7	2.400	2.300	48	5-102766-1
OBSOLETE	52	1,2,29&30	1,2,29&30	2	3.000	2.900	60	102766-4
	44	1,2,25&26	1,2,25&26	2	2.600	2.500	52	102766-3
	30	1,2,18&19	1,2,18&19	2	1.900	1.800	38	102766-2
	40	1,2,23&24	1,2,23&24	2	2.400	2.300	48	102766-1
NO ACTIVE POS	ROW Y		ROW Z	FINISH	A	B	NO OF POSN	PART NO
	CONTACTS OMITTED							

THIS DRAWING IS A CONTROLLED DOCUMENT.		DWN	14-5-81	Tyco Electronics Corporation Harrisburg, Pa 17105-3608
DIMENSIONS: INCHES		CHK	15-5-81	
TOLERANCES UNLESS OTHERWISE SPECIFIED:		APVD	20-5-81	
0 PLC ± - 1 PLC ± - 2 PLC ± - 3 PLC ± - 4 PLC ± - ANGLES ± -		PRODUCT SPEC	NAME	
MATERIAL	FINISH	WEIGHT	-	CONNECTOR ASSY., MOD II/IV DOUBLE ROW, .100 X .100 C/L, VERTICAL MOUNTED
	CONTACTS: SEE TABLE	CUSTOMER DRAWING	SCALE 4:1	SIZE A2 CAGE CODE 00779 DRAWING NO C=102766 RESTRICTED TO -
			SHEET 1 OF 1	REV F